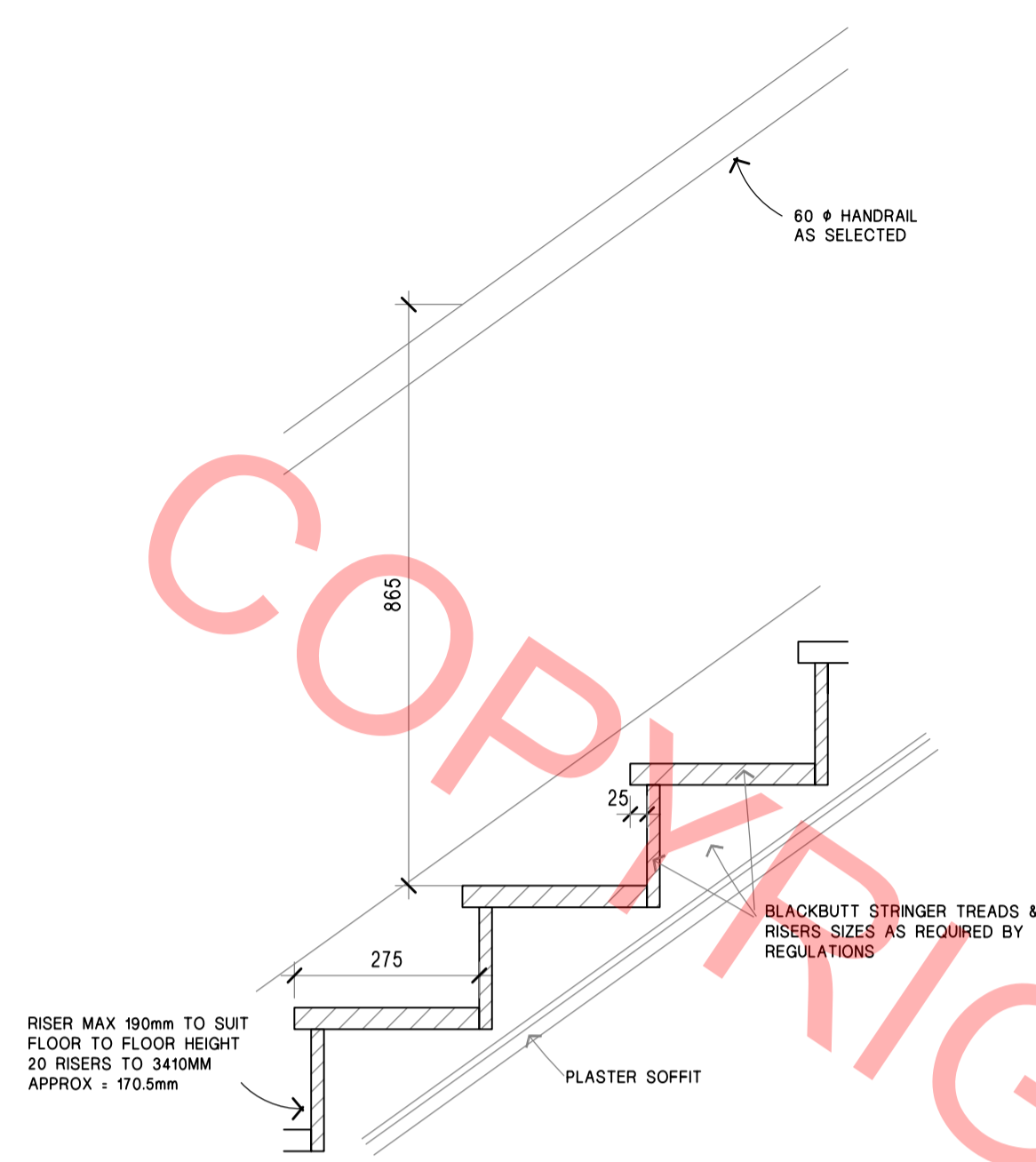
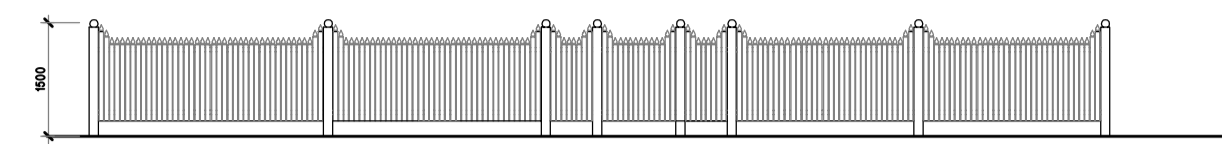


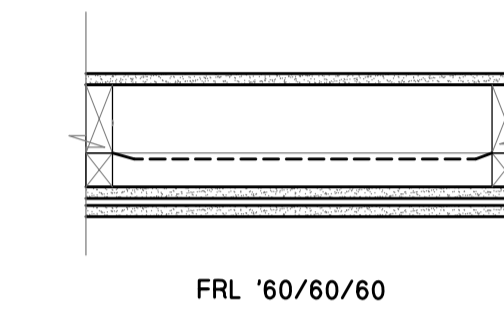
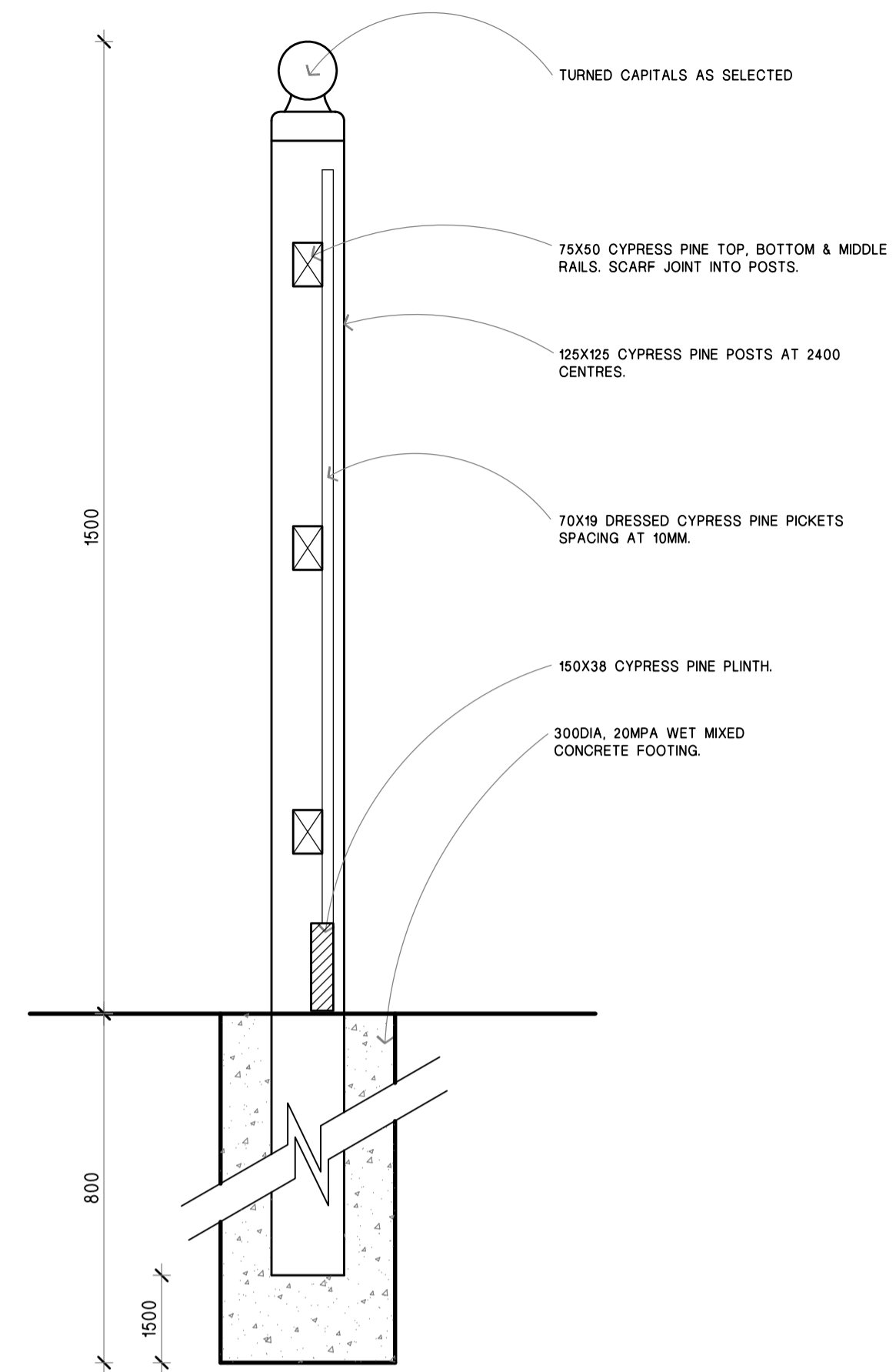
CROSS SECTION
SCALE 1:10



LONGITUDINAL SECTION
SCALE 1:10

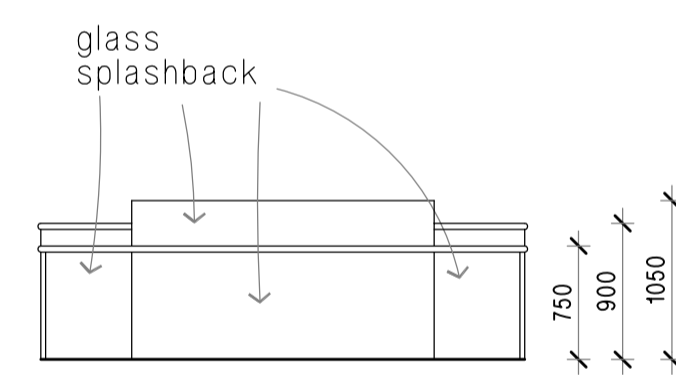


FRONT FENCE ELEVATION
SCALE 1:50

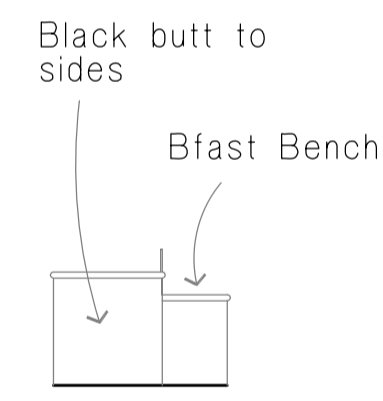


LIGHTWEIGHT EXTERNAL WALL DETAIL

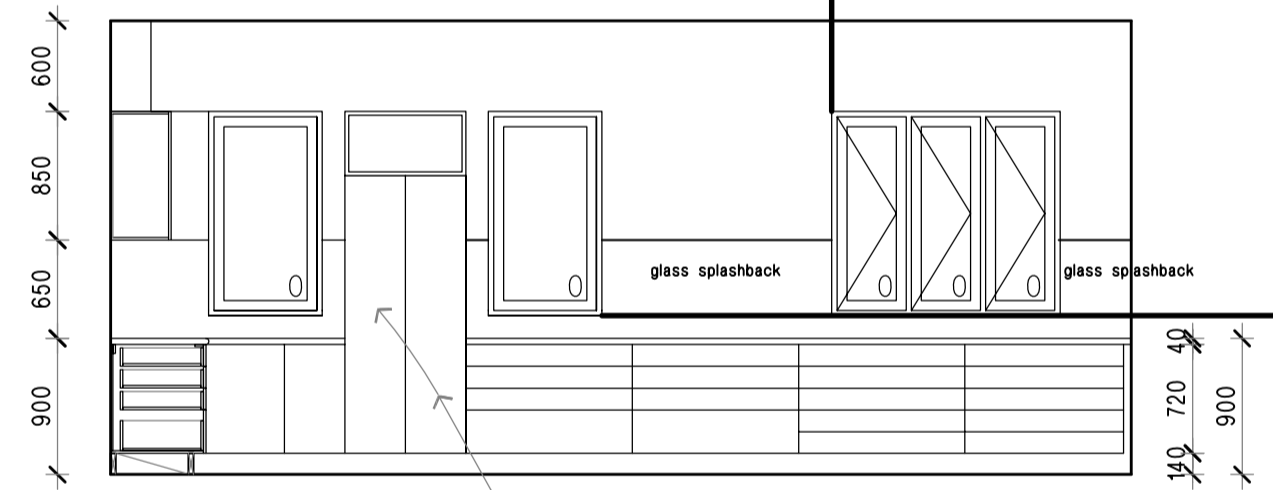
EXTERNAL LINE CLADDING ON
1 x CSR RENDALINE SHEET ON
BATTENS
VAPOUR BARRIER
1 x 13MM GYPROCK FYRCHEK MR
PLASTERBOARD
CAVITY INSULATION AS SPECIFIED
1 x 16MM GYPROCK FYRCHEK MR
PLASTERBOARD INTERNAL SIDE



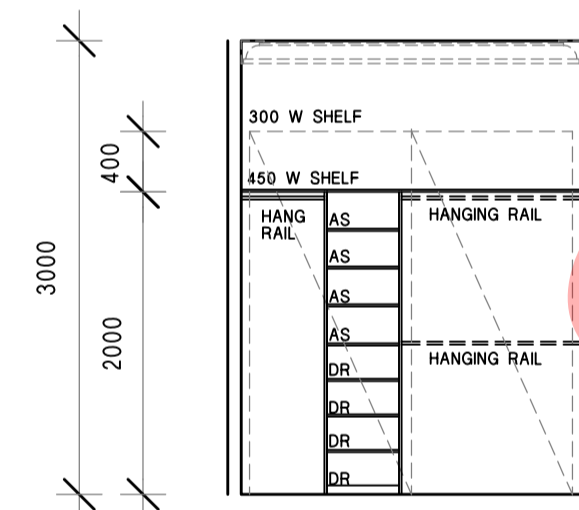
ISLAND North



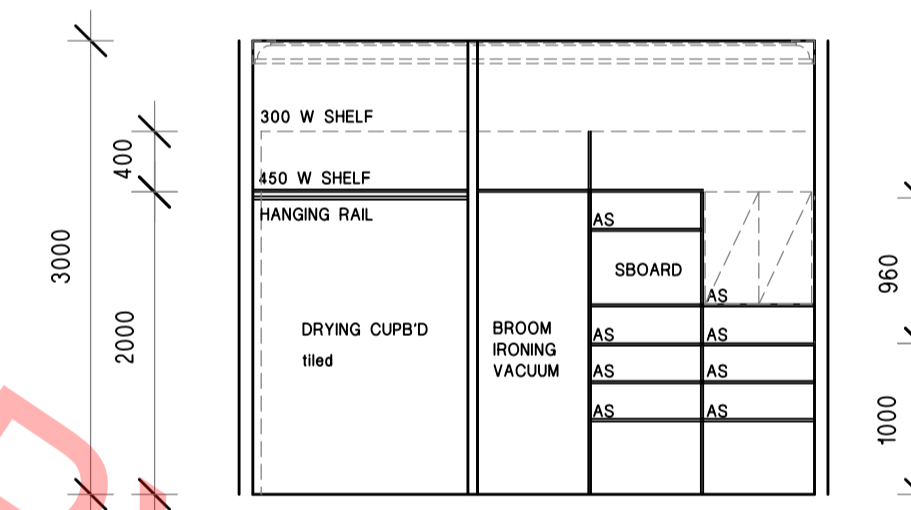
ISLAND West



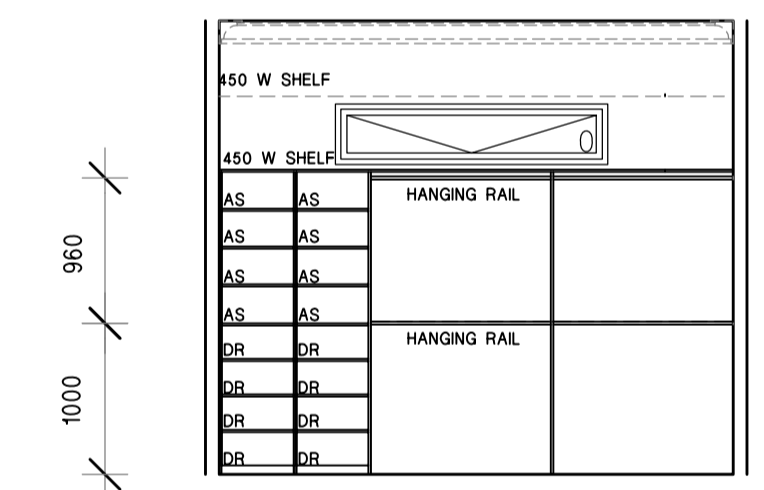
KITCHEN EAST



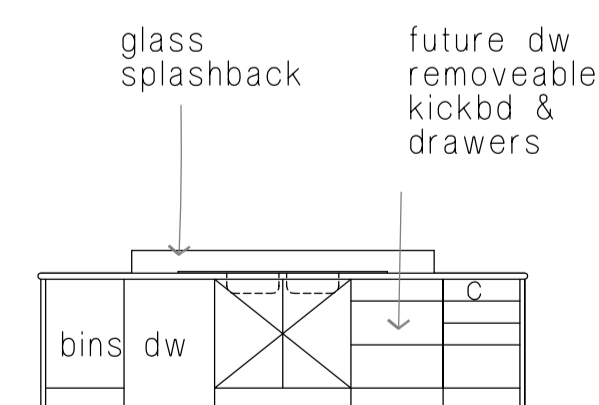
BED ROBES
NOT TO SCALE



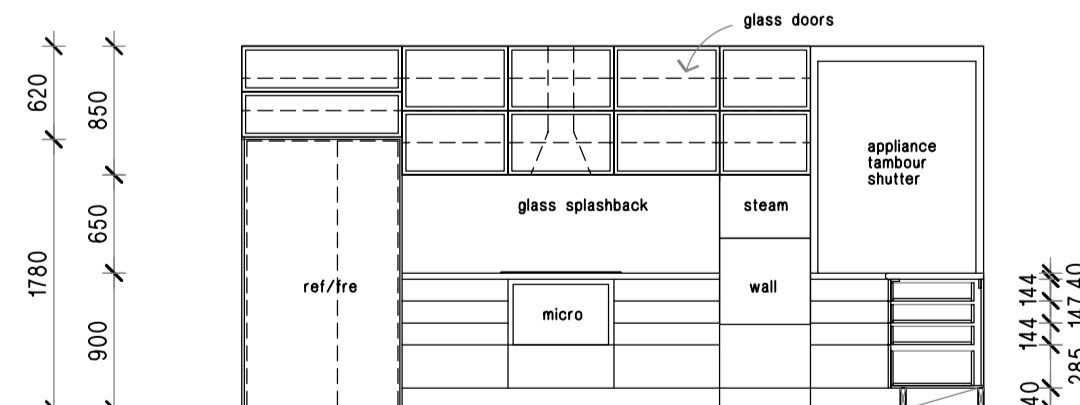
LINEN
NOT TO SCALE



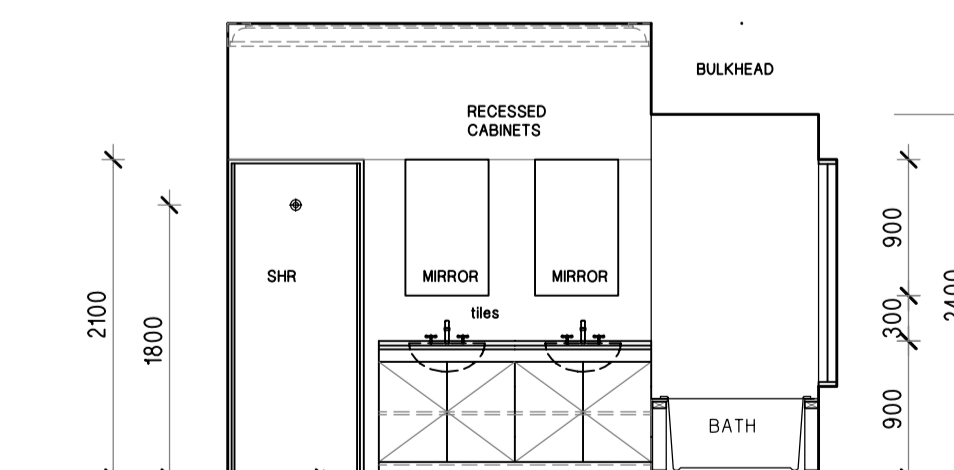
WIR
NOT TO SCALE



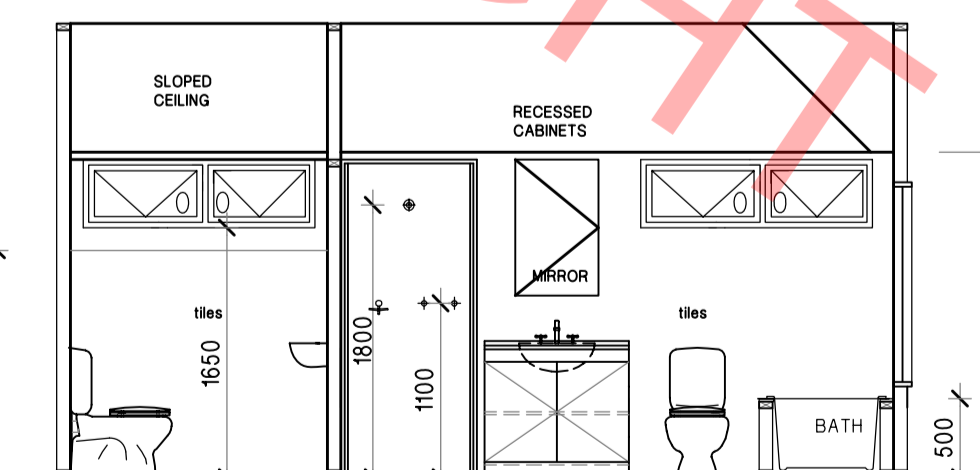
ISLAND South



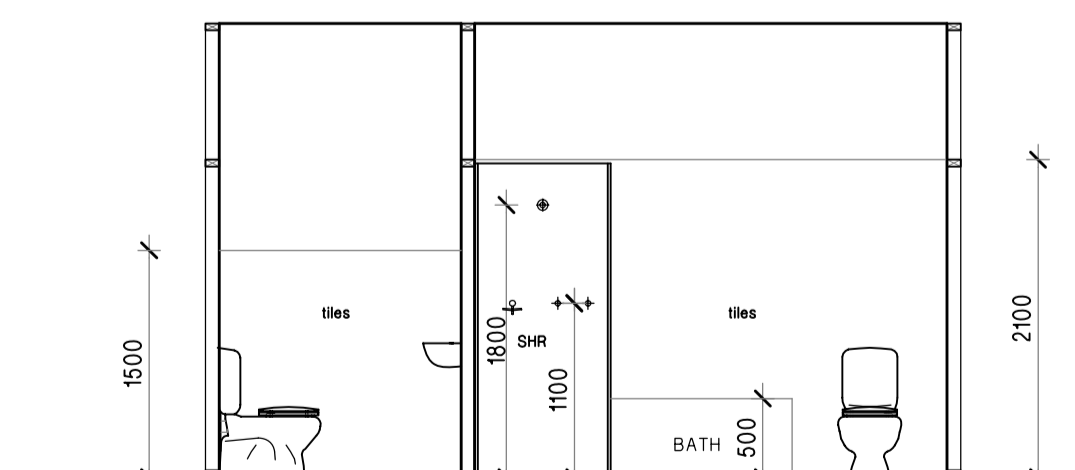
KITCHEN NORTH



ENSUITE
NOT TO SCALE



UPPER BATHROOM
NOT TO SCALE



LOWER POWDER
NOT TO SCALE

Rev	Date	Description



(A) ENSURE THAT ALL WORK AND MATERIALS CONFORM WITH BCA, RELEVANT CURRENT AUSTRALIAN CODES, STANDARDS, PERMITS & REGULATIONS. OBTAIN APPROVAL FROM RESPONSIBLE AUTHORITY/RELEVANT BUILDING SURVEYOR, PRIOR TO MAKING ANY CHANGES TO THE APPROVED PERMIT DRAWINGS.

(B) MINIMAL STRUCTURAL INFORMATION IS SHOWN AND ANY STRUCTURAL INFORMATION SHOWN IS INDICATIVE ONLY. (C) REFER TO DISCLAIMER - THESE DRAWINGS ARE TO A BUILDING PERMIT STANDARD ONLY. THE BUILDER SHALL VERIFY ALL DIMENSIONS, LEVELS, SETBACKS, SPECIFICATIONS AND CHECK THAT THE DESIGN INTENTIONS

CAN BE REALISED IN PRACTICE, PRIOR TO COMMENCING ANY WORKS OR ORDERING ANY MATERIALS. (D) WHERE REQUIRED PROVIDE SHOP DRAWINGS. (E) OBTAIN ALL CURRENT SERVICES INFORMATION & NECESSARY PERMITS PRIOR TO COMMENCING WORK.

Issue	BUILDING PERMIT ISSUE				Drawing	MISCELLANEOUS DETAILS				8 James Street, Strathmore Vic: 3041 p 03 9379 9406 f 03 9011 6145 e info@dsparchitects.com.au w www.dsparchitects.com.au ABN 78 050 463 968 artv c50289 The Planning Permit Professionals	Project	PROPOSED DEMOLITION, RENOVATIONS & ADDITIONS AT 52 HUNTER ST MALVERN		Job No	289
	© COPYRIGHT DANNY SACCO & PARTNERS PTY LTD. REPRODUCTION IN WHOLE OR PART IS PROHIBITED.				0	DSP	1:100 at A1	1:200 at A3	10.7.09				BP06	Drwg No	